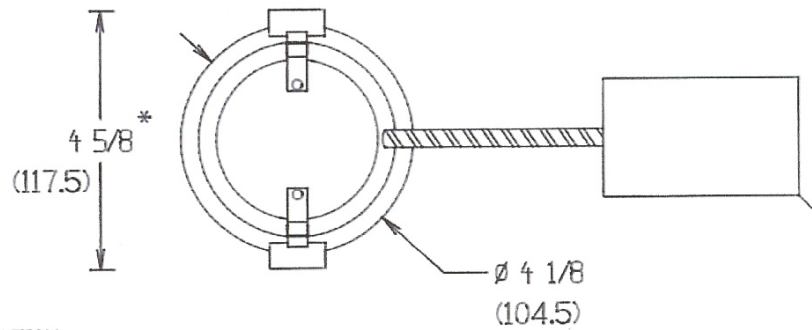
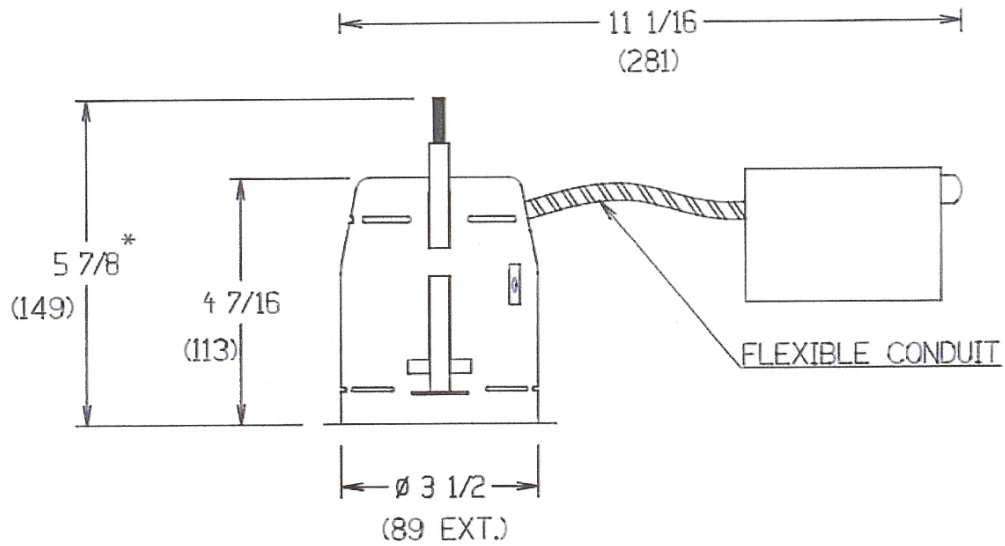


DESCRIPTION: Item # 91-3000  
Remodel Non-IC with Electronic Transformer 12V 50W Max.



\* SIZES AFTER INSTALLATION.



: DIA.  $3 \frac{5}{8}$  (92 MM)



**READ AND SAVE THESE INSTRUCTIONS**