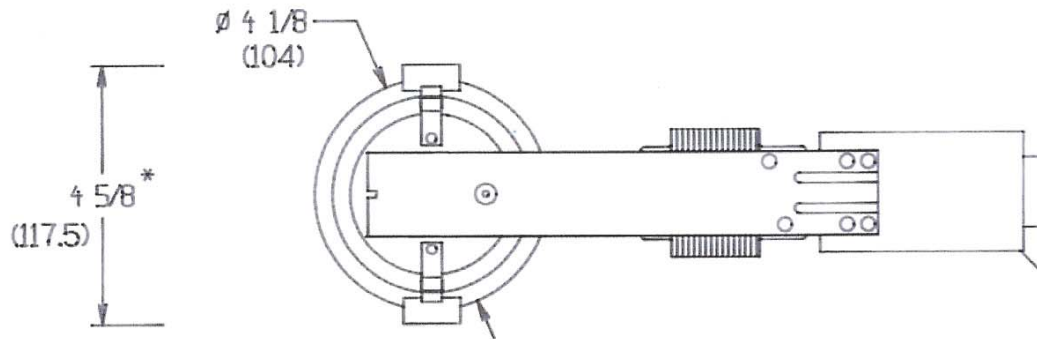
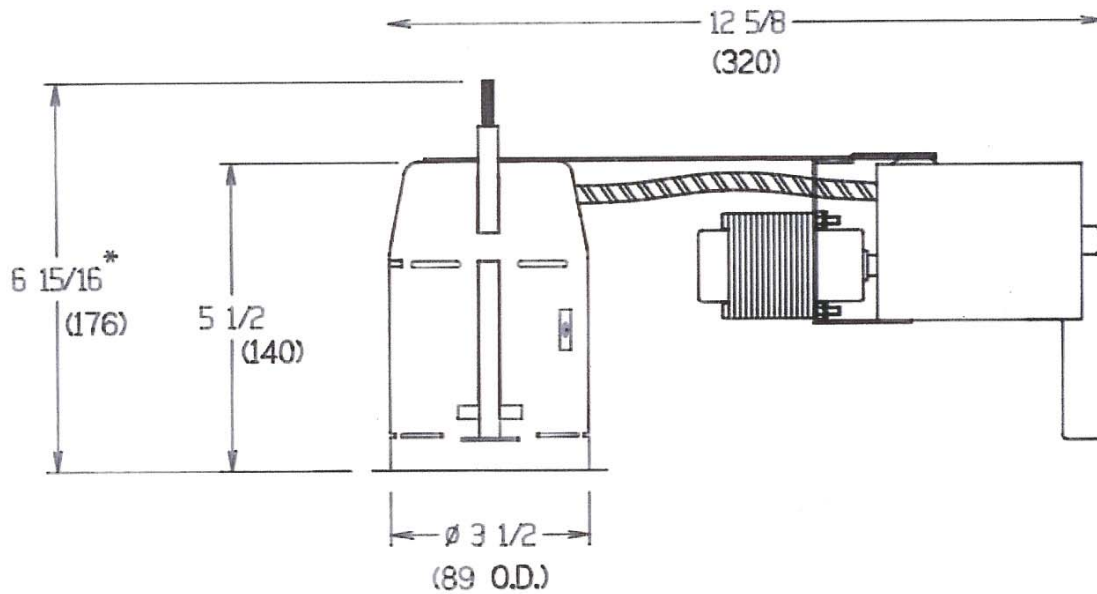


DESCRIPTION: Item # 91-3002
Remodel NON-IC with Magnetic Transformer 12V 50W Max.



* : SIZES AFTER INSTALLATION



: DIA. $3 \frac{5}{8}$ (92 MM)



READ AND SAVE THESE INSTRUCTIONS