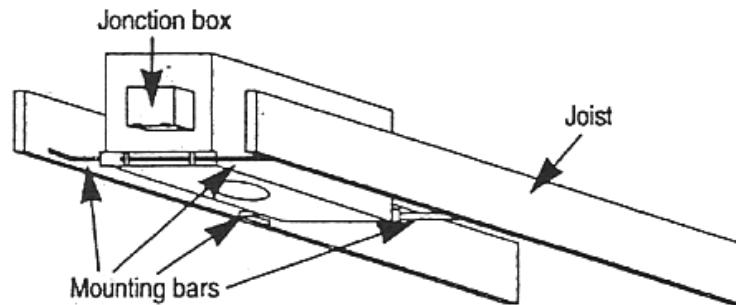
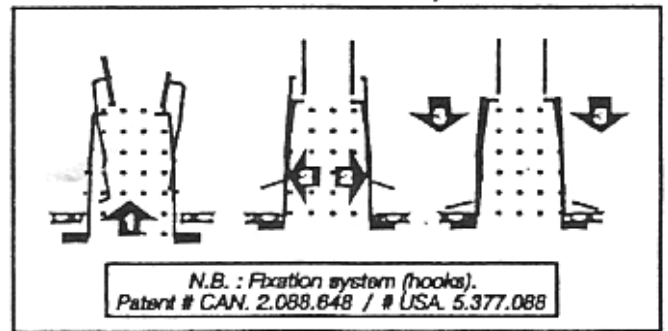
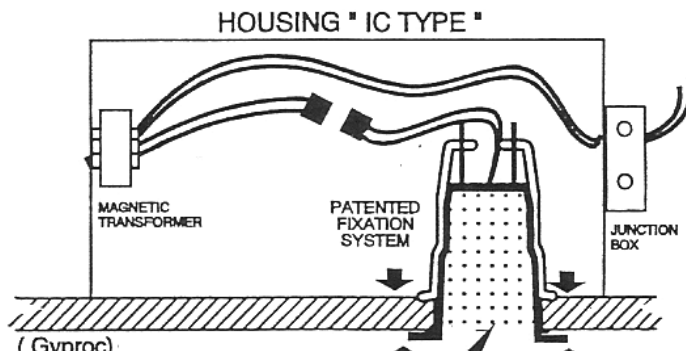


DESCRIPTION: Low voltage housing for ceiling with insulation.

TYPICAL INSTALLATION:	Model # 91-3015 w/ Magnetic Transformer	Light Source MR16 - 50W max	OD Cut 3 3/4" 95mm
----------------------------------	--	--	-------------------------------



SUITABLE FOR DAMP LOCATIONS

ATTENTION

DO NOT INSTALL INTO INSULATION

WARNING: «RISK OF FIRE»

Most dwellings built before 1985

have supply wires rated 60° C.

Consult a qualified Electrician before installing.

It is very important not to exceed the lamp wattage indicated.

INSTRUCTIONS FOR REMODEL INSTALLATION RECESSED FIXTURE

1. **TURN OFF ELECTRIC CURRENT.**
2. Remove the pot from the mounting frame for installation in step 7.
3. Fasten mounting frame to wood joise (or other ceiling type) with adjustable mounting bars.
4. Open junction box and wire to supply leads; connect ground wire and close box.
NOTE: LEave at least 10" of supply leads and ground wire inside junction box.
5. Remove the pot and close th e ceiling.
6. Quick connect the double and triple connectors.
7. Insert pot into mounting frame, fix brackets into slides located on both sides of pot and secure fixture to ceiling with the two (2) adjusting screws.
8. Install lamp, glass and trim.

WARRANTY:

The manufacturer guarantees the transformer and components against manufacturing defects for a period of one (1) year, under normal use with proof of purchase. The obligation of the manufacturer consists in the cost for the transformer and components and does not cover the cost of labor and transport for replacement.

READ AND SAVE THESE INSTRUCTIONS