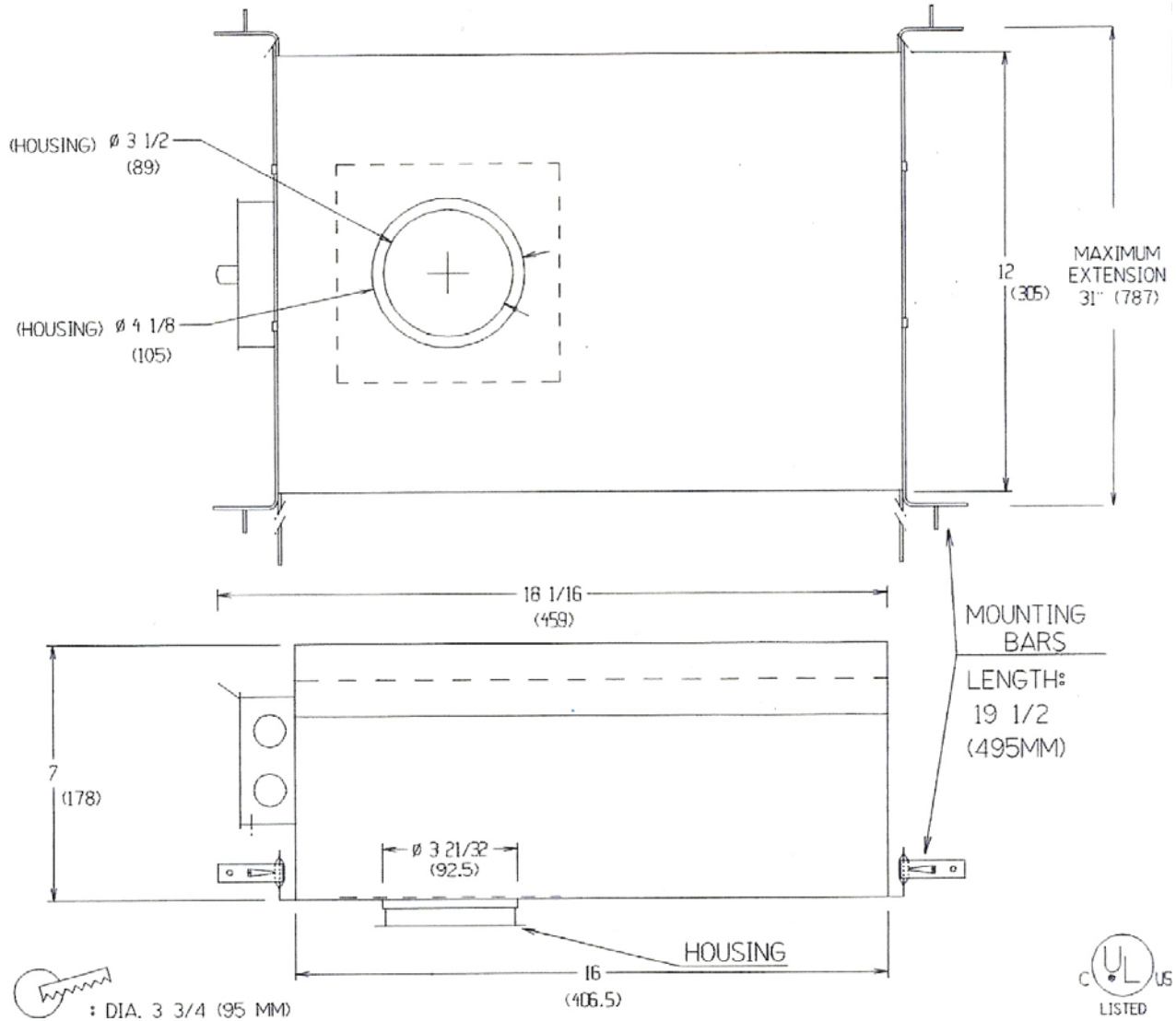


DESCRIPTION: **Item # 91-3015**
IC with Magnetic Transformer 18 3/4" x 12"D x 7"H.



READ AND SAVE THESE INSTRUCTIONS