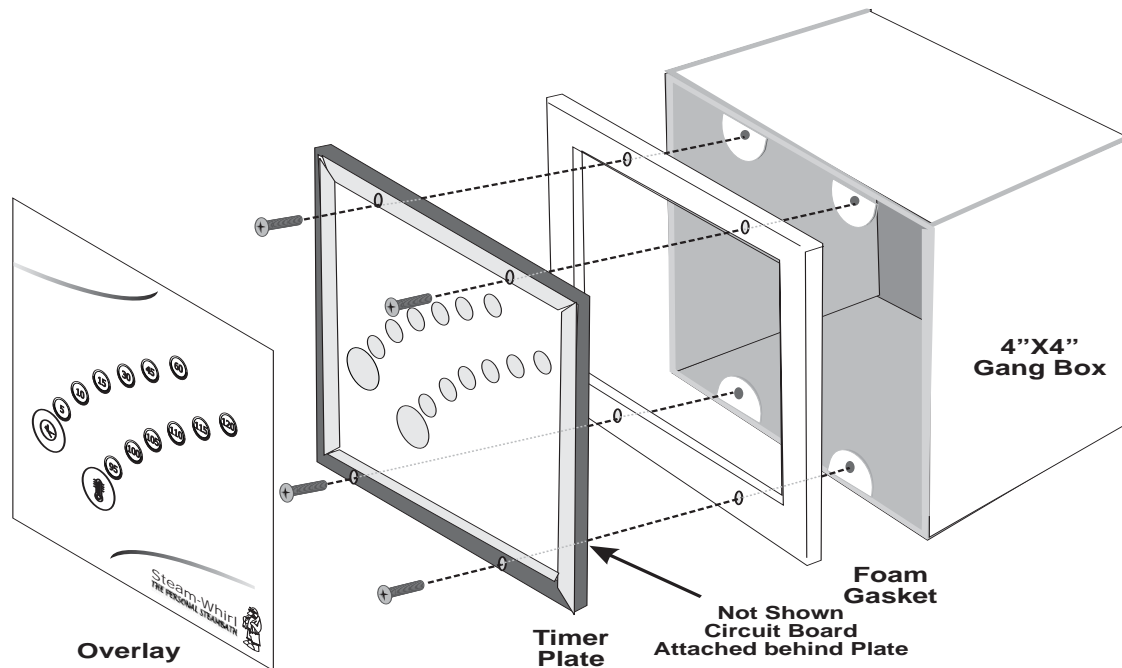


**DESCRIPTION: #90-4300**

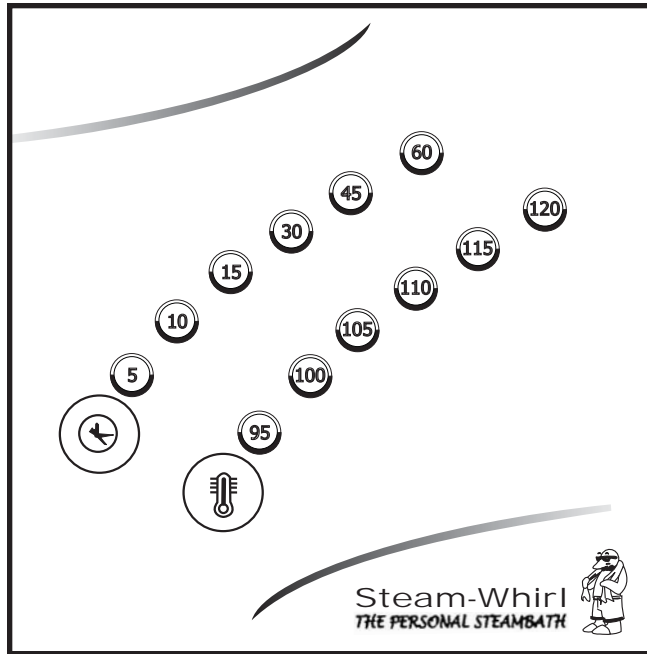
The low voltage Deluxe 60 minute Digital Timer & Thermostat displays the environment status and provides precision accuracy of time and temperature settings to suit the preferences of individual bathers.



**IMPORTANT**

- ✓ **TIMER MUST BE INSTALLED INSIDE STEAM ROOM**
- ✓ **WATER WILL DAMAGE ELECTRONICS**
- ✓ **FOLLOW THE INSTRUCTIONS EXACTLY**

1. Unit must be tested before applying the decal & silicone.
2. Apply a bead of silicone RTV (supplied by Factory) to the front side of the foam gasket and adhere to the back of the timer plate aligning each hole on the side.
3. Apply a bead of silicone to the back side of the foam gasket and adhere to the wall, aligning the holes from timer plate and gang box.
4. Screw the timer plate into the wall (gang box) **DO NOT OVER TIGHTEN.**
5. When the timer plate is in place, run a bead of silicone on the outer rim of the plate
6. Should it become necessary to remove the faceplate decal, clean all residual adhesive using *ISOPROPYL ALCOHOL*.
7. **YOU MUST** achieve a proper seal between the timer plate and the shower surface.
8. From steam unit, connect supplied modular telephone cable to controller PCB, run cable and connect to back of timer PCB.
9. **DO NOT** staple cables.



## B. OPERATION

1. Push time button 1 to 6 times until desired time is reached according to the LED display.

**PRESS TIME BUTTON:**

1	=	5 MINUTES
2	=	10 MINUTES
3	=	15 MINUTES
4	=	30 MINUTES
5	=	45 MINUTES
6	=	60 MINUTES

2. First temperature setting of 95° will automatically be on. Press the temperature button until desired temperature is reached according to the LED display. Maximum setting is 120°. Once a temperature setting over 95° has been set, it will be stored for the next operation.

**READ AND SAVE THESE INSTRUCTIONS**