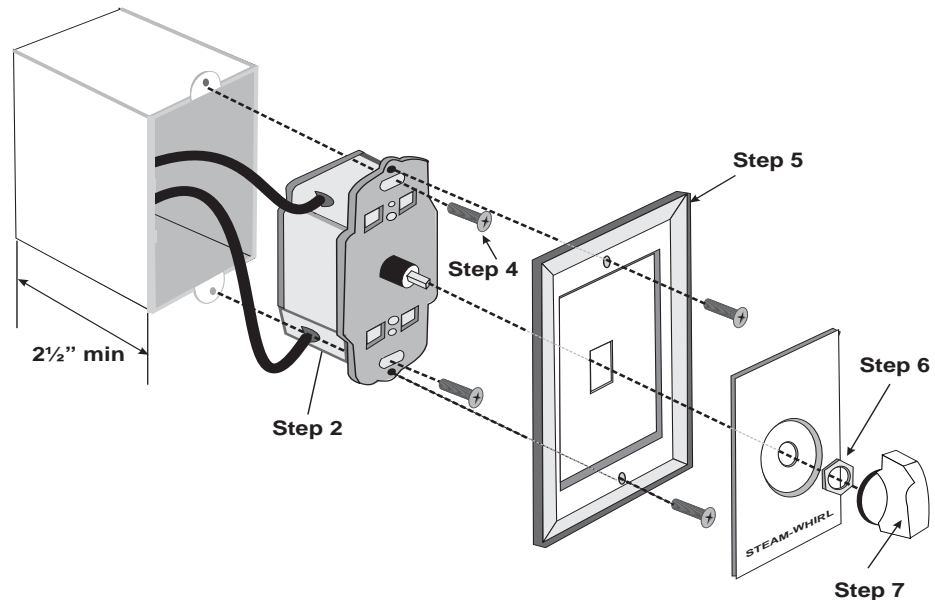


DESCRIPTION: #90-4325

Low voltage Mechanical Timers turn the steam unit on and off.

NOTE:
INSTALLATION MUST BE DONE
BY A LICENSED ELECTRICIAN.

INSTALLATION AND USE OF
THIS EQUIPMENT SHOULD BE
IN ACCORDANCE WITH
PROVISIONS OF THE U.S.
NATIONAL ELECTRICAL CODE,
APPLICABLE LOCAL CODES
AND PERTINENT INDUSTRY
STANDARDS.



1. Turn power off at circuit breaker or fuse panel.
2. Timer should be located on a wall 5' away outside the steam room.
3. Run 14AWG wire from back of timer 1-NO and 1-C to T1 & T2 on terminal block inside steam generators.
4. Insert wired timer into a 2-1/2" (min) deep wall box with "TOP" (indicated on front cover) in proper position.
5. Fasten to wall box using two screws provided.
6. Fasten the wall plate to the timer using the two (2) screws supplied with the plate. The screws must be self-tapped into the timer body and will require a gentle inward pressure while firmly turning the screw.
7. Position small plastic timer dial so that "OFF" is in the up position. Install the hex nut and tighten.
8. Push knob onto timer shaft, handle facing down. Restore power.

**OPERATING
INSTRUCTIONS:**

1. Turn knob *clockwise*, past 10, to desired time period. Timer will automatically turn OFF at end of period.

READ AND SAVE THESE INSTRUCTIONS