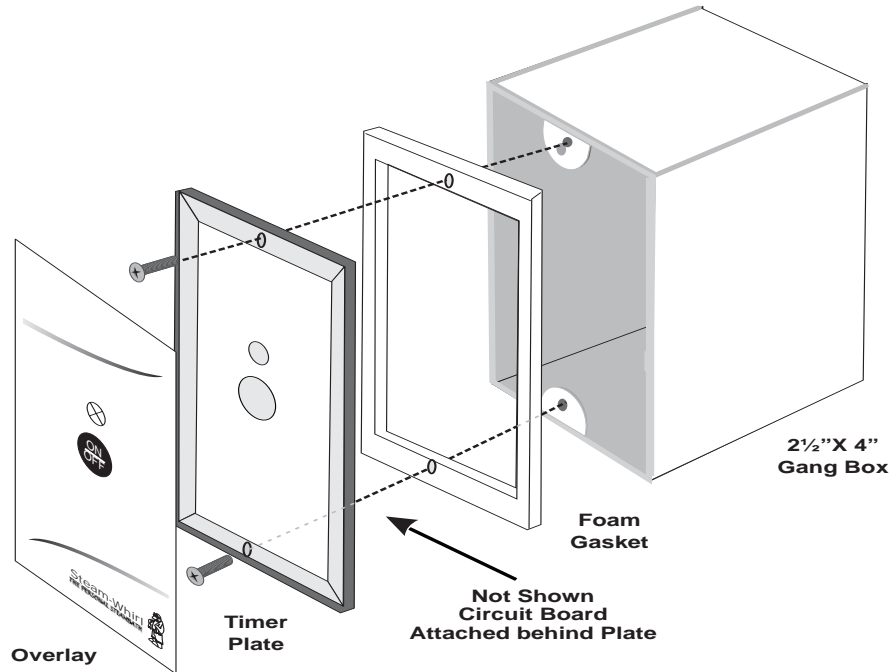


DESCRIPTION: #90-4310

Low voltage Standard Timers turn the steam units on and off.



IMPORTANT

- ✓ **WATER WILL DAMAGE ELECTRONICS**
- ✓ **FOLLOW THE INSTRUCTIONS EXACTLY**

1. Unit must be tested before applying the decal & silicone.
2. Apply a bead of silicone RTV (supplied by Factory) to the front side of the foam gasket and adhere to the back of the timer plate aligning each hole on the side.
3. Apply a bead of silicone to the back side of the foam gasket and adhere to the wall, aligning the holes from timer plate and gang box.
4. Screw the timer plate into the wall (gang box) **DO NOT OVER TIGHTEN.**
5. When the timer plate is in place, run a bead of silicone on the outer rim of the plate
6. Should it become necessary to remove the faceplate decal, clean all residual adhesive using *ISOPROPYL ALCOHOL*.
7. If the timer is installed in the shower, YOU MUST achieve a proper seal between the timer plate and the shower surface.
8. From steam unit, connect supplied modular telephone cable to controller PCB, run cable and connect to back of timer PCB.
9. **DO NOT** staple cables.

READ AND SAVE THESE INSTRUCTIONS