

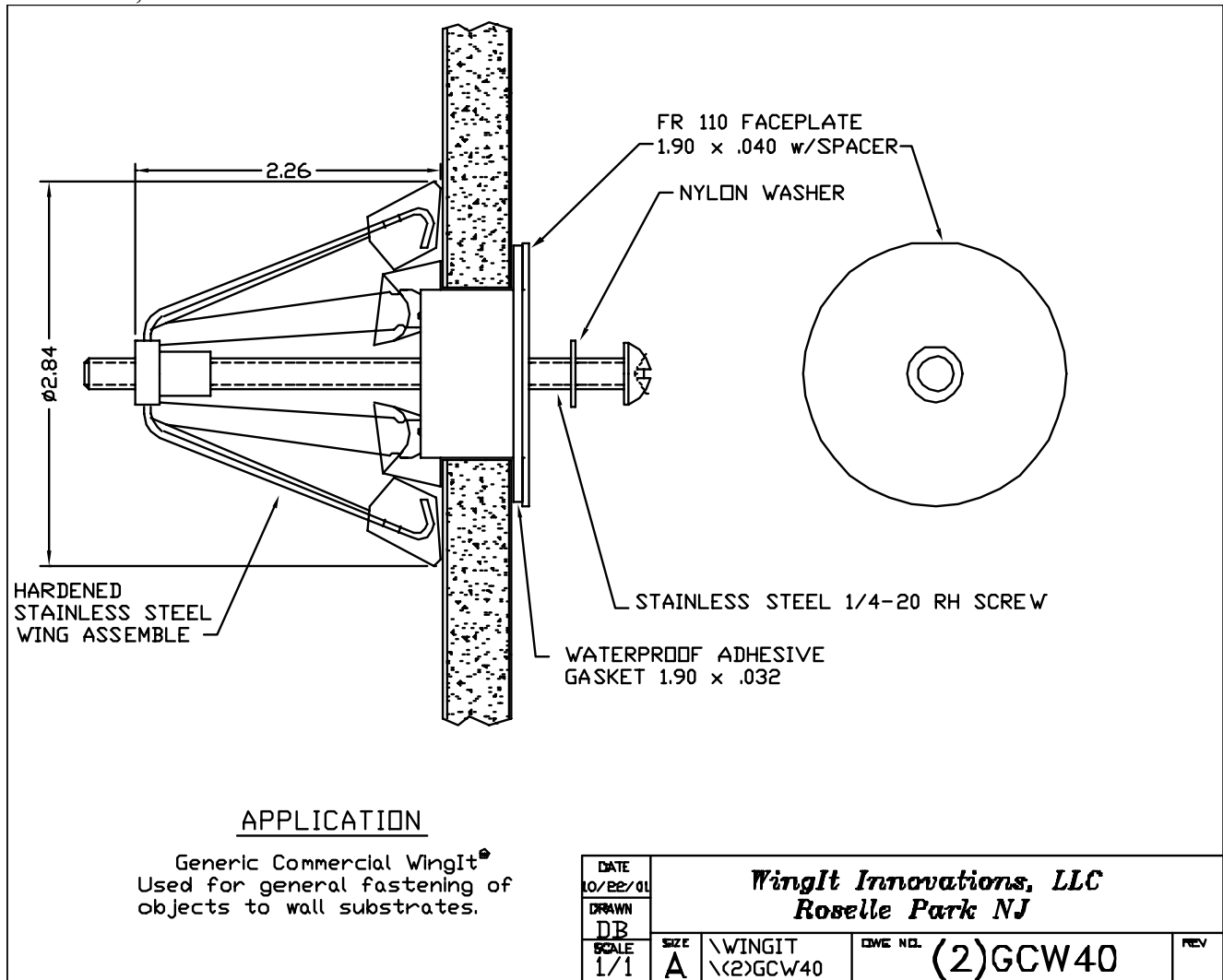
GCW40 – Generic Commercial WingIt w/ 4” screw.

Surface Mount installations - Commercial Railings / Safety Hand Rails, Baby Changing Tables and Child Seats, Hand / Hair Dryers, Soap Dispensers, Paper Dispensers, Surface Mounted Objects, ADA Mirrors, Hooks, Closet Racks & Towel Racks, and most other Commercial Accessories. WingIts install in minutes, creating a secure, permanent mounting of commercial accessories – Where You Want, When You Want!

WingIts will maintain nearly 100% of their structural integrity – regardless of the direction the loading occurs, or how often. Use a minimum of Two WingIts per mounted accessory. Items such as Baby Changing Tables, Closet Brackets, Towel Racks, etc... require WingIts to be installed in every mounting location to insure warrantee on the WingIts Fastening System.

The WingIt Fastening Technology works in all hollow wall construction. WingIts require a 1.25” hole be drilled into the wall substrate. WingIts are fireproof, self-waterproofing and self-structural and will not loosen or lose their structural integrity.

CTHS114, Carbide holes saws are available for tile walls – rated at 40 holes in wall tile.



STEAM ~ WHIRL

3775 W Teco Ave #5 Las Vegas, NV 89118 702-270-2124 www.steam-whirl.com